

4K60 1x8 HDMI™ Splitter



User Manual

VER 1.0

Thank you for purchasing this product

For optimum performance and safety, please read these instructions carefully before connecting, operating or adjusting this product. Please keep this manual for future reference.

Surge protection device recommended

This product contains sensitive electrical components that may be damaged by electrical spikes, surges, electric shock, lighting strikes, etc. Use of surge protection systems is highly recommended in order to protect and extend the life of your equipment.

Table of Contents

| | |
|--|---|
| 1. Introduction..... | 1 |
| 2. Features..... | 1 |
| 3. Package Contents..... | 1 |
| 4. Specifications..... | 2 |
| 5. Operation Controls and Functions..... | 3 |
| 6. Auto Downscaling..... | 4 |
| 7. Application Example..... | 5 |

1. Introduction

This HDMI™ 1x8 Splitter designed with 1x HDMI™ input and 8x HDMI™ output, can distribute one HDMI™ signal source to eight display devices simultaneously and quickly. Video resolution is up to 4K@60Hz 4:4:4. It supports advanced EDID management, including two EDID modes: copy and auto.

The device is widely used in multimedia conference halls, television teaching, large-screen display and other applications.

2. Features

- ☆ HDCP 2.2 compliant
- ☆ Video resolution is up to 4K@60Hz 4:4:4, as specified in HDMI™ 2.0
- ☆ Audio format up to PCM 2CH, LPCM 7.1/5.1CH, Dolby Digital, DTS 5.1, Dolby Digital+, Dolby TrueHD, DTS-HD Master Audio, Dolby Atmos, DTS:X
- ☆ Support HDR, HDR10, HDR10+, Dolby Vision, HLG pass-through
- ☆ Support resolution downscaling from 4K to 1080p on each output
- ☆ Support CEC on HDMI™ OUT 1 port
- ☆ Advanced EDID management
- ☆ Compact design for easy and flexible installation

3. Package Contents

- ① 1× 4K60 1x8 HDMI™ Splitter
- ② 1× 12V/1A Multinational Locking Power Supply
- ③ 1× User Manual

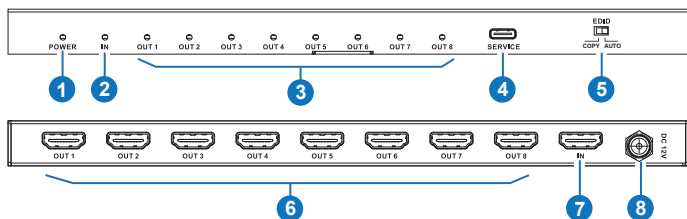
4. Specifications

| Technical | |
|-----------------------------------|--|
| HDMI™ Compliance | HDMI™ 2.0 |
| HDCP Compliance | HDCP 2.2 |
| Video Bandwidth | 18Gbps |
| Video Resolution (Input & Output) | 480i ~1080p50/60Hz, 4Kx2K@24/30Hz, 4k2k@60Hz |
| Color Depth | 8-bit,10-bit,12-bit |
| Color Space | RGB, YCbCr_4:4:4, YCbCr_4:2:2 |
| Audio Formats | PCM 2CH, LPCM 7.1/5.1CH, Dolby Digital, DTS 5.1, Dolby Digital+, Dolby TrueHD, DTS-HD Master Audio, Dolby Atmos, DTS:X |
| HDR | HDR, HDR10, HDR10+, Dolby Vision, HLG |
| ESD Protection | IEC 61000-4-2: ±8kV (Air-gap discharge) & ±4kV (Contact discharge) |
| Connection | |
| Input | 1× IN [HDMI™ Type A, 19-pin female] |
| Output | 8× OUT [HDMI™ Type A, 19-pin female] |
| Control | 1× SERVICE [USB Type C, update port] |
| Mechanical | |
| Housing | Metal Enclosure |
| Color | Black |
| Dimensions | 242mm [W] × 102mm [D] × 16mm [H] |
| Weight | 588g |
| Power Supply | Input: AC 100-240V 50/60Hz, Output: DC 12V/1A (US/EU standards, CE/FCC/UL certified) |
| Power Consumption | 6.4W (Max) |
| Operation Temperature | 0°C ~ 40°C / 32°F ~ 104°F |
| Storage Temperature | -20°C ~ 60°C / -4°F ~ 140°F |
| Operating Humidity | 20%~80% relative humidity, non-condensing |
| Storage Humidity | 10%~90% relative humidity, non-condensing |

| Recommended HDMI™ Cable | | |
|--|---------|----------|
| Video Resolution | 4K60 | 1080p |
| HDMI™ Cable Length (IN / OUT) | 8m/26ft | 15m/49ft |
| The use of "Premium High Speed HDMI™" cable is highly recommended. | | |

5. Operation Controls and Functions

Front & Rear Panel



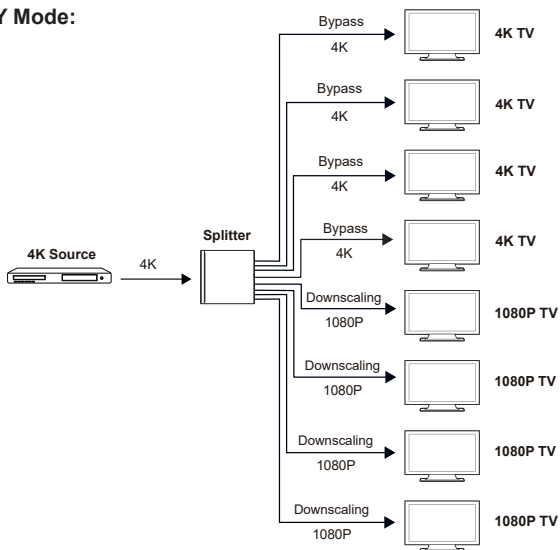
| No. | Name | Function Description |
|-----|------------------|---|
| 1 | POWER LED | The blue LED will be on when the device is powered on, |
| 2 | IN LED | The blue LED will be on when a source device is connected. |
| 3 | OUT LED 1~8 | The corresponding blue LEDs will be on when display devices are connected. |
| 4 | SERVICE | Used for firmware update. |
| 5 | EDID dial switch | COPY: Read the EDID setting of the HDMI OUT 1 display device to source device. Then the source device will send the signal that matches the OUT 1 display device to all HDMI outputs. AUTO: Compare the EDID setting of the HDMI OUT 1~8 port display devices then send the best EDID signal to source device, then the source device will send again the signal that matches the display device to all outputs. |
| 6 | HDMI OUT 1~8 | HDMI output ports, connected to HDMI display devices such as TV or Monitor with HDMI cable. |

| No. | Name | Function Description |
|-----|---------|---|
| 7 | HDMI IN | HDMI signal input port, connected to an HDMI source device such as DVD or PC with HDMI cable. |
| 8 | DC 12V | DC 12V/1A power input port. |

6. Auto Downscaling

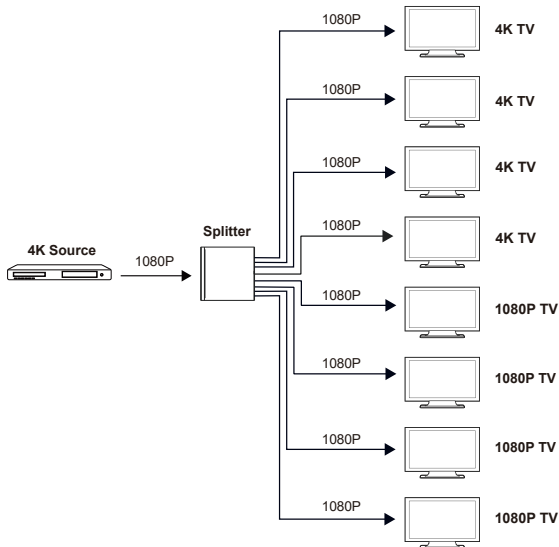
This splitter supports resolution auto downscaling on all outputs. It will automatically output the proper HDMI signal according to the EDID of the display device.

COPY Mode:



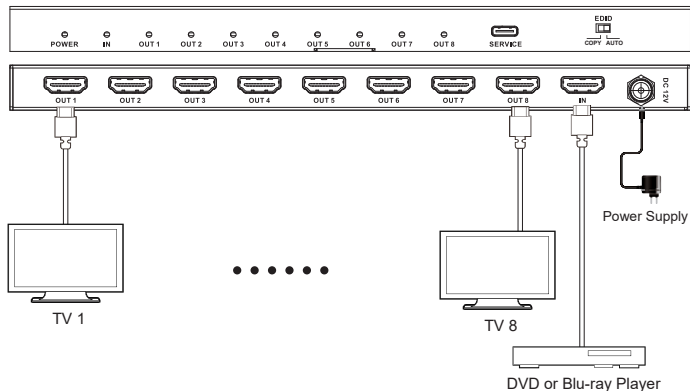
In the example above, the source signal will be sent to each output according to the EDID of the connected display device.

AUTO Mode:



In the example above, the source signal will be downscaled and sent to all outputs after comparing the EDIDs of all output devices.

7. Application Example



HDMI[™]
HIGH-DEFINITION MULTIMEDIA INTERFACE

The terms HDMI, HDMI High-Definition Multimedia Interface, HDMI trade dress and the HDMI Logos are trademarks or registered trademarks of HDMI Licensing Administrator, Inc.